



4-DOOR UNIBODY

Date: _____

To: _____ From: _____

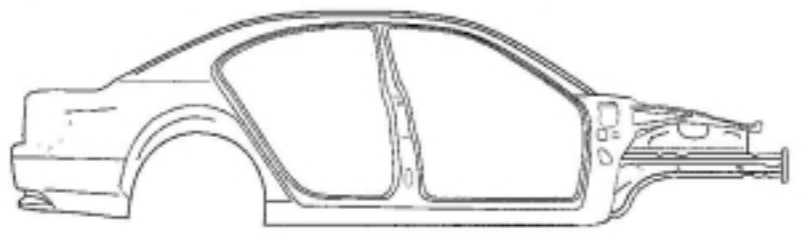
Contact Person: _____ Contact Person: _____

Phone #: _____ Fax #: _____

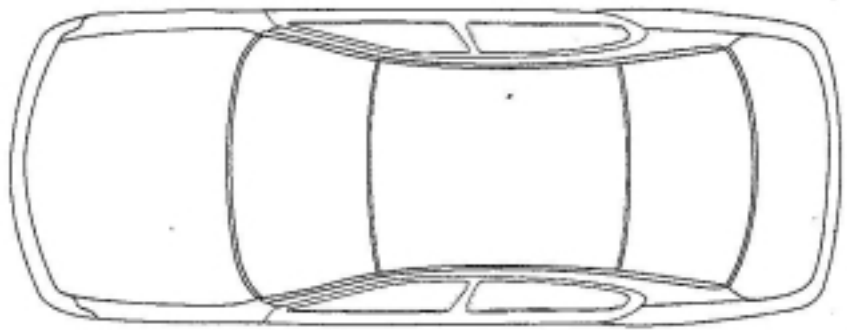
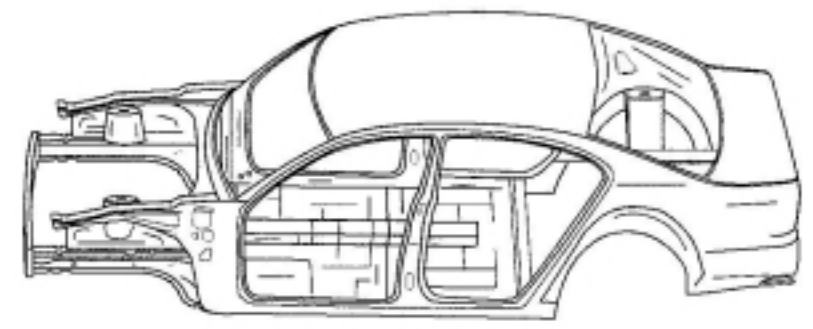
Year: _____ Make: _____

Model: _____ VIN #: _____

P.O. #: _____ Build Date: _____

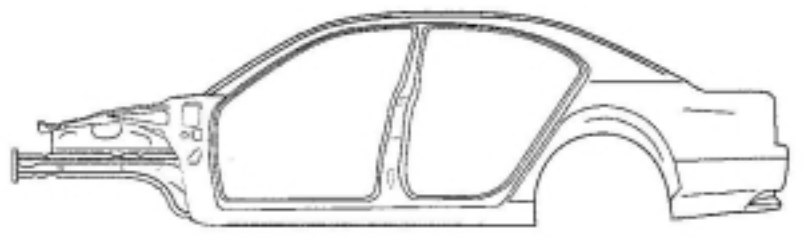


PASSANGER SIDE

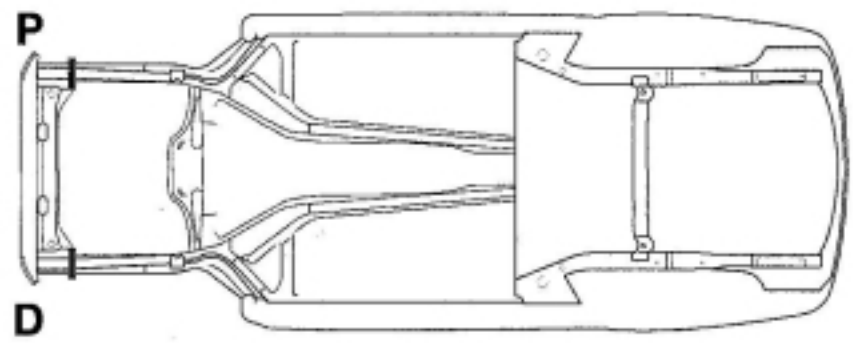


TOP VIEW

Please use the area below for a detail of cut instructions:



DRIVER SIDE



TOP VIEW

Notes:
